



INSTALLATION INSTRUCTIONS

Accessory

TRUNK TRAY
P/N 08U45-TX6-200

Application

2014 ILX

Publications No.

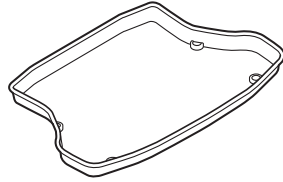
BII 48808

Issue Date

APRIL 2013

PART LIST

Trunk tray



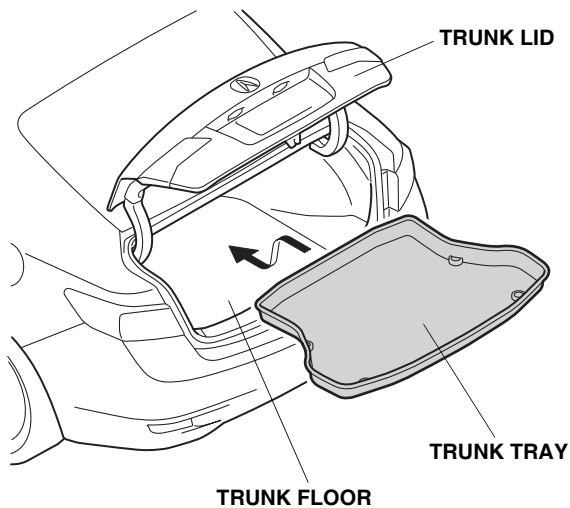
TOOLS AND SUPPLIES REQUIRED

Utility knife

INSTALLATION

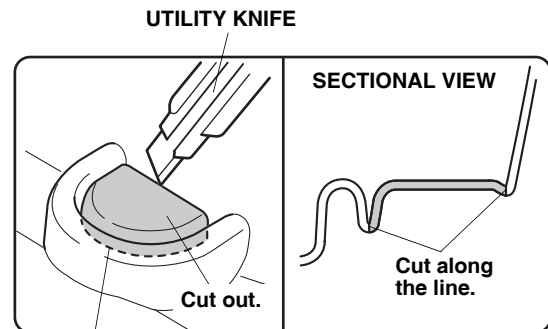
Without Cargo Net

1. Open the trunk lid. Place the trunk tray on the trunk floor.

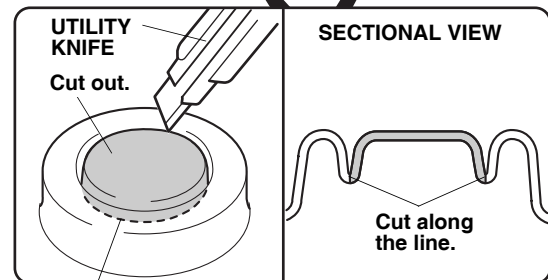
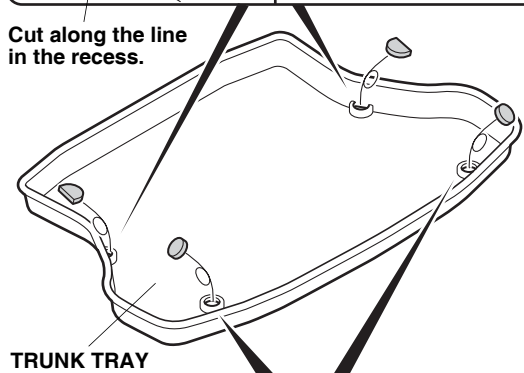


With Cargo Net

2. Using a utility knife, cut out the four areas of the trunk tray as shown.



Cut along the line in the recess.



Cut along the line in the recess.

3. Open the trunk lid. Place the trunk tray on the trunk floor.

